

JVC

SERVICE MANUAL

COLOUR TELEVISION

BASIC CHASSIS

CG

AV-21F7_(VT)

This service manual mainly consists of the following items:

- The items which differ from those for the AV-21FT service manual.
- The initial value for each setting item.

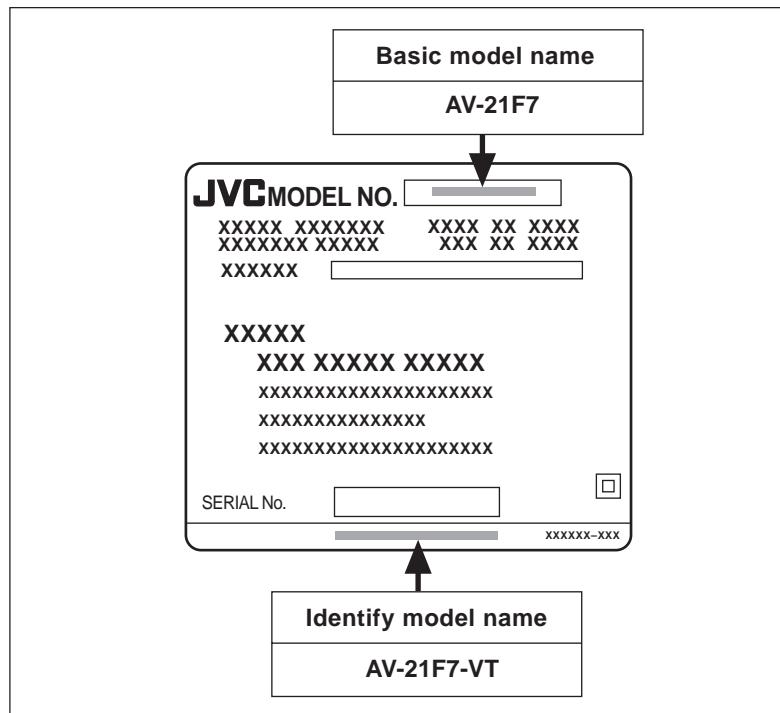
For details other than those described in this manual, please refer to the following service manual.

Reference Service Manual: AV-21FT Service Manual (No. 56003, May 2000)

Note: The page in parentheses shows the one for the AV-21FT service manual (No. 56003, May 2000).

HOW TO IDENTIFY MODEL

While referring to the illustration given below, identify model name on the rating label affixed to the rear cover.



PARTS DIFFERENCE TABLE

The different parts between AV-21FT and AV-21F7(VT) are described below:

△	REF. NO.	AV-21FT	AV-21F7(VT)	PART NAME	DESCRIPTION
		PART No.	PART No.		
■ EXPLODED VIEW PARTS LIST (Page 28)					
△	V01	A51JSY33X/C/	————	PICTURE TUBE	
		————	A51JSW51X07	PICTURE TUBE	ITC type (with DEF YOKE)
△	L01	QQW0077-001	CELD029-004J6	DEGAUSSING COIL	
	DY01	QQD0041-001	————	DEF YOKE	
△	T1522	QQH0069-001	QQH0070-001	H.V. TRANSF.	
	1	LC10394-026A-H	LC10394-024A-HK	FRONT CABINET	
△	15	LC20377-010B-H	GG20001-009A-H	RATING LABEL	
	18	A75034-B	————	PC MAGNET	
	19	CE40764-00A	————	WEDGE ASSY	
■ PRINTED WIRING BOARD PARTS LIST (Page 30-)					
	—	SCG-1233A-H2	SCG-1239A-CK	MAIN PWB ASS'Y	
	R1103	NRSA02J-100X	————	CH MG R	10Ω 1/10W J
		————	NRSA02J-820X	CH MG R	82Ω 1/10W J
	R1112	NRSA02J-100X	————	CH MG R	10Ω 1/10W J
		————	NRSA02J-220X	CH MG R	22Ω 1/10W J
	R1161	————	NRSA02J-102X	CH MG R	1kΩ 1/10W J
	R1162	————	NRSA02J-122X	CH MG R	1.2kΩ 1/10W J
	R1163	————	NRSA02J-222X	CH MG R	2.2kΩ 1/10W J
	R1164	————	NRSA02J-221X	CH MG R	220Ω 1/10W J
	R1165	————	NRSA02J-220X	CH MG R	22Ω 1/10W J
	R1166	————	NRSA02J-821X	CH MG R	820Ω 1/10W J
	R1345	————	NRSA02J-151X	CH MG R	150Ω 1/10W J
	R1346	————	NRSA02J-151X	CH MG R	150Ω 1/10W J
	R1348	————	NRSA02J-472X	CH MG R	4.7kΩ 1/10W J
	R1349	NRSA02J-472X	————	CH MG R	4.7kΩ 1/10W J
	R1351	NRSA02J-151X	————	CH MG R	150Ω 1/10W J
	R1352	NRSA02J-151X	————	CH MG R	150Ω 1/10W J
	R1369	————	QRE122J-394	C R	390kΩ 1/2W J
	R1528	————	QRE122J-471	C R	470Ω 1/2W J
	R1531	NRSA02J-472X	————	CH MG R	4.7kΩ 1/10W J
		————	NRSA02J-103X	CH MG R	10kΩ 1/10W J
	R1554	QRE121J-681Y	————	C R	680Ω 1/2W J
		————	QRE122J-821	C R	820Ω 1/2W J
	R1904	QRL03EJ-151X	————	OM R	150Ω 3W J
	C1161	————	NCB21HK-103X	CH C CAP.	0.01μF 50V K
	C1164	————	NCB21HK-103X	CH C CAP.	0.01μF 50V K

△	REF. NO.	AV-21FT	AV-21F7(VT)	PART NAME	DESCRIPTION
		PART No.	PART No.		
■ PRINTED WIRING BOARD PARTS LIST-Continued (Page 30-)					
	C1165	———	NCB21HK-103X	CH C CAP.	0.01μF 50V K
	C1166	———	NCB21HK-104X	CH C CAP.	0.1μF 50V K
	C1351	QCZ0121-102	———	C CAP.	1000pF 3kV Z
	C1352	———	QFZ0097-103	MM CP.	0.01μF 1250V K
	C1354	NCS21HJ-271X	———	CH C CAP.	270pF 50V J
		———	NDC21HJ-221X	CH C CAP.	220pF 50V J
	C1355	NCS21HJ-221X	———	CH C CAP.	220pF 50V J
		———	NDC21HJ-271X	CH C CAP.	270pF 50V J
	C1356	NCS21HJ-331X	———	CH C CAP.	330pF 50V J
		———	NDC21HJ-331X	CH C CAP.	330pF 50V J
	C1525	QFZ0200-972	———	MPP CAP.	9700pF 1.5kVH ±3%
		———	QFZ0200-902	MPP CAP.	9000pF 1.5kVH ±3%
	C1527	QFZ0199-274	———	MPP CAP.	0.27μF 250V J
		———	QFZ0199-304	MPP CAP.	0.3μF 250V J
	C1530	———	QCB32HK-561	C CAP.	560pF 500V K
	C1582	QFZ0199-274	———	MPP CAP.	0.27μF 250V J
		———	QFZ0199-254	MPP CAP.	0.25μF 250V J
	C1909	QEZO476-127	———	E CAP.	120μF 400V M
		———	QEZO199-127	E CAP.	120μF 400V M
	C1949	NCS21HJ-471X	———	CH C CAP.	470pF 50V J
		———	NDC21HJ-471X	CH C CAP.	470pF 50V J
	CF1161	———	SFSH4.5MCB	CERAMIC FILTER	
	L1522	———	CE41210-00B	LIN COIL	
	L1551	QQLZ018-460	QQLZ018-860	HEATER CHOKE	
△	T1522	QQH0069-001	QQH0070-001	H.V. TRANSF.	
	Q1161	———	2SC2412K/QR-X	CHIP TRANSISTOR	
	IC1701	MN1873287JA	MN1873287JD	IC (MICROCOMPUTER)	
	IC1702	AT24C08-21FTR	AT24C08-21F7VT	IC (MEMORY)	(Service)
	J1006	———	QNN0281-002	PIN JACK	
△	SK1351	CE42446-001	CE42554-001	CRT SOCKET	
	TU1001	QAU0185-001	QAU0186-001	AMP TUNER	
■ PACKING PARTS LIST (Page 34)					
	1	GG10056-005A-H	GG10007-009A	PACKING CASE	
	2	CM47385-00B-H	———	POS/SERIAL LABEL	
		———	CM43936-001	POS/SERIAL LABEL	(X2)
	5	RM-C364-1H	RM-C367-1H	REMOCON UNIT	
△	7	LCT0748-001A-H	LCT0767-001A	INST BOOK	

(to be continued)

△	REF. NO.	AV-21FT	AV-21F7(VT)	PART NAME	DESCRIPTION
		PART No.	PART No.		
■ PACKING PARTS LIST - Continued (Page 34)					
△	8	LCT0749-001A-H	—	DIGEST MANUAL	
	—	—	CEAB005-00AJ1	MATCHING BOX	
	—	—	CM36447-00A-H	ROD ANTENNA	

SPECIFICATIONS (Page 2)

Item		Content
Dimensions (W × H × D)		619mm × 458mm × 486.5mm
Mass		22kg
TV RF System		B / G, I, D / K, K1, M
Colour System	TV Mode	PAL / SECAM / NTSC3.58 / NTSC4.43
	VIDEO Mode	PAL / SECAM / NTSC3.58 / NTSC4.43
Receiving Frequency	VHF (VL)	46.25MHz ~ 168.25MHz
	VHF (VH)	175.25MHz ~ 463.25MHz
	UHF	471.25MHz ~ 863.25MHz
	CATV	● Cable TVs of Mid (X-Z, S1-S10) Super (S11-S20) & Hyper (S21-S41) bands receivable
Intermediate Frequency	VIF Carrier	38.0MHz
	SIF Carrier	31.5MHz (6.5MHz) 32.0MHz (6.0MHz) 32.5MHz (5.5MHz) 33.5MHz (4.5MHz)
Colour Sub Carrier Frequency		PAL (4.43MHz) SECAM (4.40625MHz / 4.25MHz) NTSC (3.58MHz / 4.43MHz)
Aerial Input Terminal		75Ω Unbalanced
Power Input		Rating: AC120 ~ 240V, 50/60Hz Operating: AC90 ~ 260V, 50/60Hz
Power Consumption		105W (Max.) / 68W (Avg.)
Picture Tube		Visible size : 51cm measured diagonally
High Voltage		26.5kV ± 1.5kV (at zero beam current)
Speaker		6cm × 12cm Oval type × 2
Audio Output		5W (Monaural)
Input	Video	1Vp-p, 75Ω
	Audio	500mVrms (-4dBs), High impedance
Output	Video	1Vp-p, 75Ω
	Audio	500mVrms (-4dBs), Low impedance
Headphone Jack		Stereo mini jack (3.5ø)
Remote Control Unit		RM-C367-1H (Battery size : AA/R06/UM-3 × 2)

Design & specifications are subject to change without notice.

SPECIFIC SERVICE INSTRUCTIONS

SETTING OF SYSTEM CONSTANT SET (Page 7)

Table 1

Setting item	Setting contents	Setting value
COLOUR	<input type="checkbox"/> ▶ MULTI. → TRIPLE → PAL <input type="checkbox"/>	MULTI
BILINGUAL	<input type="checkbox"/> ▶ YES → NO <input type="checkbox"/>	NO
TUNER	<input type="checkbox"/> ▶ MU → MA <input type="checkbox"/>	MU
ECO SENSOR	<input type="checkbox"/> ▶ YES → NO <input type="checkbox"/>	YES
LANGUAGE	<input type="checkbox"/> ▶ E/V → E <input type="checkbox"/>	E/V
B/B SOUND	<input type="checkbox"/> ▶ ON → OFF <input type="checkbox"/>	OFF
LOCK	YES ↔ 10 ↔ 20 ↔ ... ↔ 230 ↔ 250 ↔ 240 ←	180
COLOUR AUTO	<input type="checkbox"/> ▶ YES → NO <input type="checkbox"/>	NO
QSS	<input type="checkbox"/> ▶ MINT → MQSS <input type="checkbox"/>	MINT
ALC	<input type="checkbox"/> ▶ YES → NO <input type="checkbox"/>	NO
TEXT RATE	10 ↔ 20 ↔ 40 ↔ 80	20
AMP TUNER	<input type="checkbox"/> ▶ YES → NO <input type="checkbox"/>	YES
VNR	<input type="checkbox"/> ▶ YES → NO <input type="checkbox"/>	NO

USER SETTING VALUES (Page 7)

Table 2

Setting item	Setting value	Setting item	Setting value
SUB POWER	ON	PICTURE MODE (VSM)	BRIGHT
CHANNEL POSITION	1 POSITION	OFF TIMER	OFF
CHANNEL PRESET	Refer to OPERATING INSTRUCTION	LANGUAGE	VIETNAMESE
		AUTO SHUTOFF	OFF
VOLUME	Appropriate sound volume	ECO SENSOR	OFF
TV/VIDEO	TV	BLUE BACK	OFF
ON SCREEN DISPLAY	POSITION NUMBER DISPLAY	ON TIMER	PR1 0:00
COLOUR SYSTEM	AUTO PAL	CHILD LOCK	OFF
SOUND SYSTEM	B / G	PICTURE BOOSTER	OFF

SERVICE ADJUSTMENTS

■ Initial Setting Value


■ IF CIRCUIT ADJUSTMENT -- Adjustment of DELAY POINT (Page 15)

Setting (Adjustment) Item		Variable range	Initial setting value
DELAY POINT (AGC TAKE-OVER)	NTSC3.58	0 ~ 127	48
	Others		43

■ V/C (VIDEO/CHROMA) CIRCUIT ADJUSTMENT (Page 15)

[SUB MENU 2. V/C]

Setting item	Colour system	Variable range	Initial setting value			
			PAL	SECAM	NTSC 3.58	NTSC 4.43
1. CUT OFF (R / G / B)		-128 ~ +127	-50	←	←	←
2. DRIVE (R / B)		-64 ~ +63	0	←	←	←
3. BRIGHT		-128 ~ +127	0	←	←	←
4. CONT.		-64 ~ +63	0	←	←	←
5. COLOUR (P / S / N3 / N4)		-64 ~ +63	0	←	←	←
6. TINT (N3 / N4)	TV / VIDEO	-64 ~ +63	—	—	0 / 0	0 / 0
7. SECAM BL ADJUST		-32 ~ +31	0	←	←	←
8. SHARP	TV / VIDEO	-32 ~ +31	-7 / +15	←	←	←
9. AMP T. SHARP		-16 ~ +15	-12	←	←	←

 : Do not adjust.

Adjustment of SUB COLOUR-II (Page 18)

Test point: TP-47R/G and TP-E (↗) [CRT Socket PWB]

Adjustment part	Description
5. COLOUR	
PAL COLOUR	Value (A) in the figure: Set to +10V (W & G).
SECAM COLOUR	Value (A) in the figure: Set to +9V (W & G).
NTSC 3.58 COLOUR	Value (A) in the figure: Set to +9V (W & G).

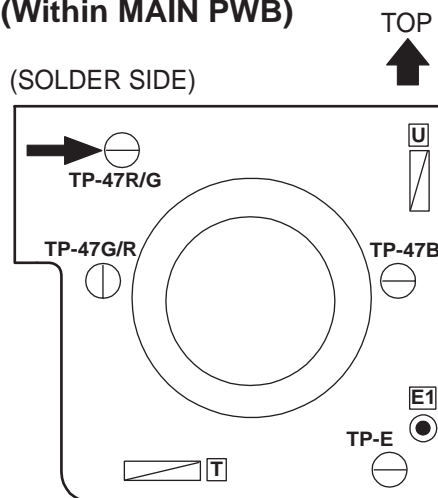
Adjustment of SUB TINT-II (Page 19)

Test point: TP-47R/G and TP-E (↗) [CRT Socket PWB]

Adjustment part	Description
6. TINT	
NTSC 3.58 TINT	Value (B) in the figure: Set to +7V (W & Cy).

CRT SOCKET PWB (Within MAIN PWB)

(SOLDER SIDE)



■ DEFLECTION CIRCUIT ADJUSTMENT (Page 20)

[SUB MENU 4. DEF]

Setting item	Adjustment name	Variable range	Initial setting value	
			50Hz	60Hz
1. VER. POSITION	Vertical center	-4 ~ +3	-1	-3
2. HOR. POSITION	Horizontal center	-16 ~ +15	+3	+3
3. VER. HEIGHT	Vertical height	-64 ~ +63	-35	+1
4. VER. LINEARITY	Vertical linearity	-32 ~ +31	+15	-1
5. VER. SCURVE	Vertical scurve	-32 ~ +31	-32	0
6. HOR. VCO ADJUST	Horizontal VCO	-64 ~ +63	0	0

: Do not adjust.

■ VSM PRESET ADJUSTMENT (Page 22)

[Setting Values for SUB MENU 4. VSM PRESET]

VSM Setting item	VSM preset mode		
	BRIGHT	STANDARD	SOFT
TINT SETTING VALUE	+15	←	←
COLOUR SETTING VALUE	+15	←	←
BRIGHT SETTING VALUE	+15	←	←
CONT. SETTING VALUE	+30	+15	+11
SHARP SETTING VALUE	+15	←	+12

: Do not adjust.


■ PRESET ADJUSTMENT (Page 23)

[SUB MENU 5. PRESET]

Colour system		Initial setting value			
		PAL	SECAM	NTSC 3.58	NTSC 4.43
1. C-TRAP FIX		1	←	←	←
2. SHARP PEAK		0	←	—	—
3. ABL		1	←	—	—
4. GAMMA		0	←	←	←
5. Y.DELAY TIME	TV	0	2	2	3
	VIDEO	0	2	0	2
6. BLACK EXP START		3	←	←	←
7. C-BPF	TV	1	←	0	←
	VIDEO	1	←	←	←
8. CW/SCP		0	←	←	←
9. V.IF DET. LEVEL		0	←	←	←
11. IF AGC MIN.		0	←	←	←
12. V.IF AGC		0	←	←	←
13. V.IF PMOD		0	←	←	←
19. VNR		15	←	←	←
20. RGB LIM.		1	←	←	←
21. RGB LIMIT LEVEL		2	←	←	←
23. TEXT H. POSITION		-3	←	←	←
24. READ DATA		—	—	—	—

 : Do not adjust.

TV RF system		Initial setting value			
		B/G	I	D/K	M
10. S.IF DET. LEVEL		0	←	←	←
14. S.IF BPF BW ADJUST		0	←	←	←
15. S.IF TRAP FO ADJUST		0	←	←	←
16. S.IF TRAP FO ADJUST 2		0	←	←	←
17. S.IF-TRAP		0	←	←	←
18. S.IF-BPF		0	←	←	1
22. S.IF SW		1	←	←	0

 : Do not adjust.

JVC

VICTOR COMPANY OF JAPAN, LIMITED

TELEVISION RECEIVER DIVISION 1106 Heta, Iwai-city, Ibaraki-prefecture, 306-0698, Japan